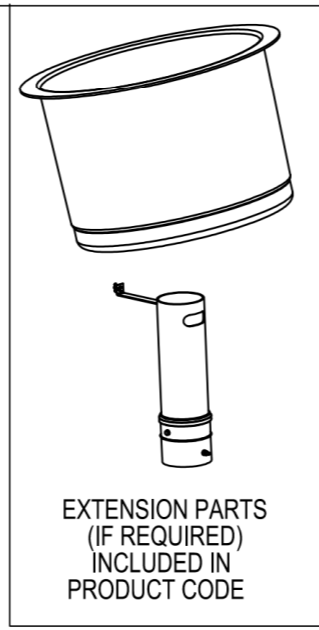
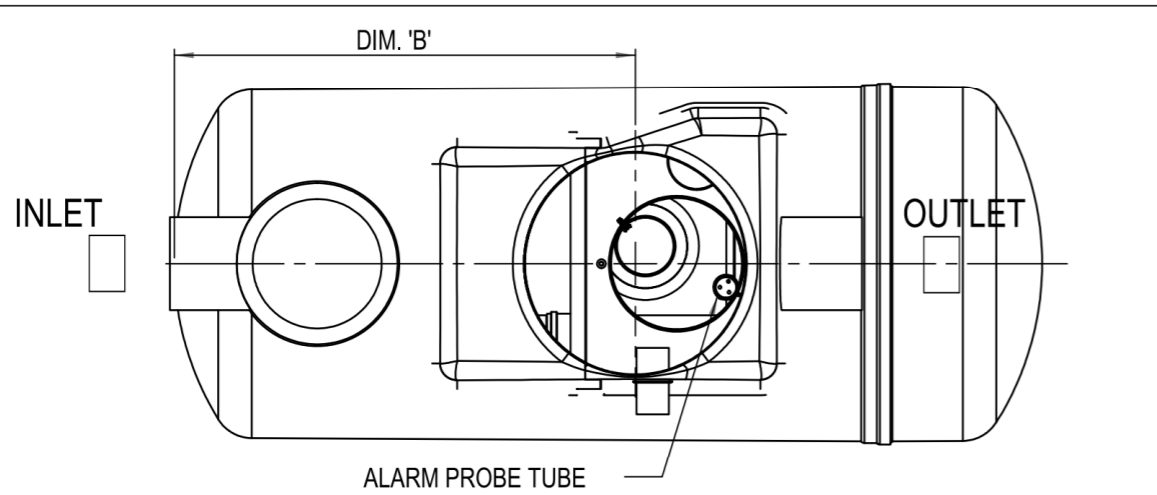
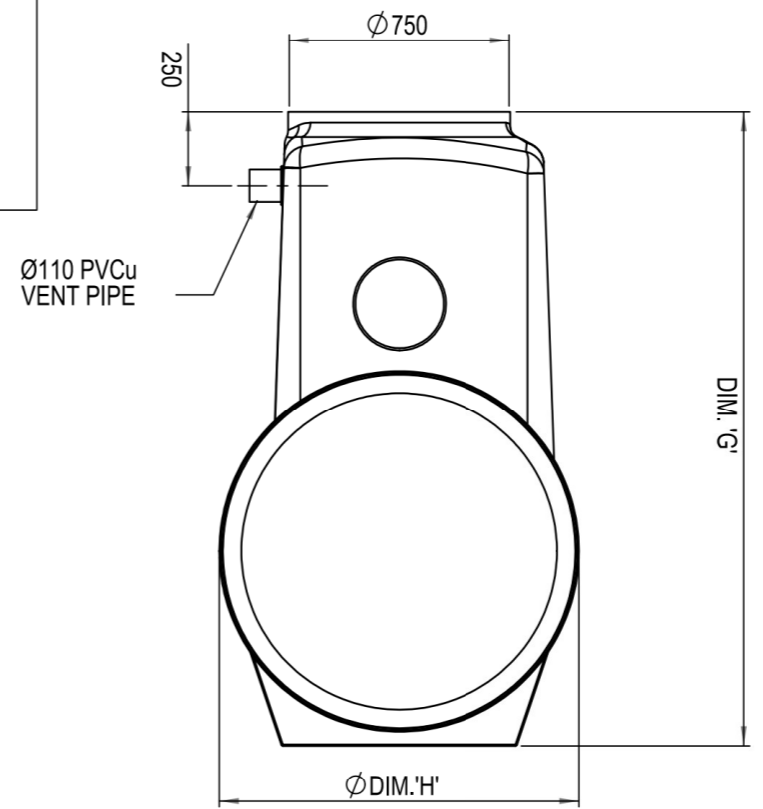
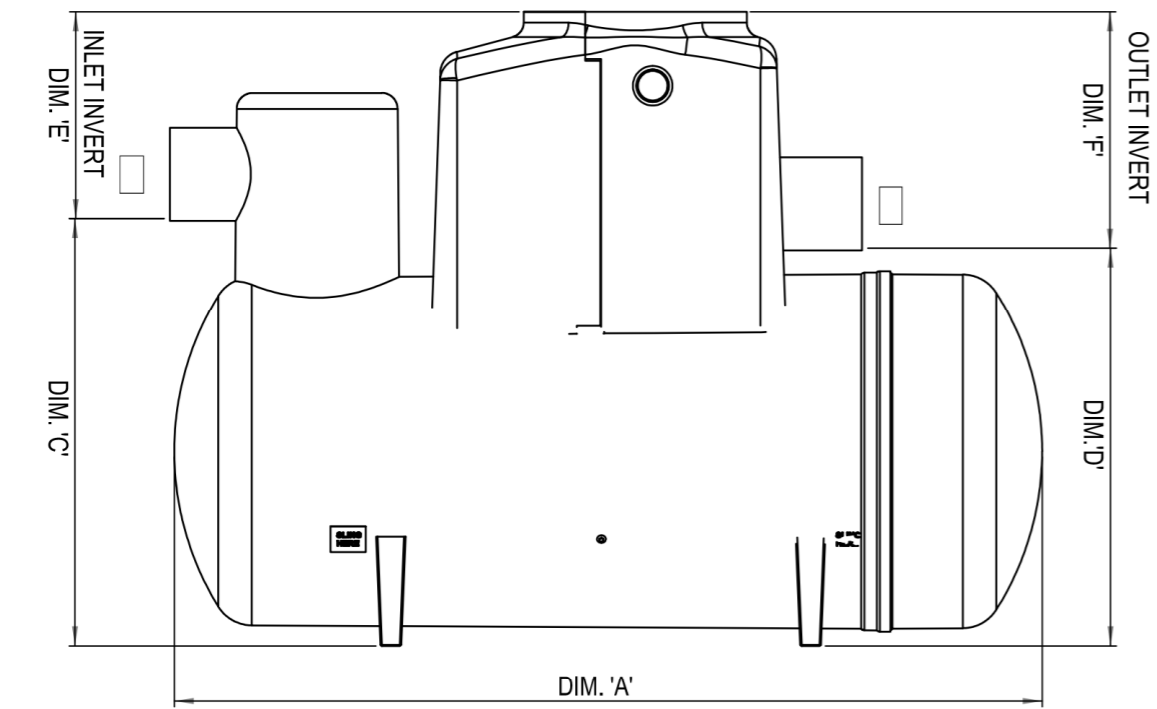


NOTES:
 All dimensions in metres.
 Do not scale from drawing.
 For any discrepancies found please consult with design office.
 This drawing is for PLANNING purposes only.
 Not for Construction.
 Product to manufacturers specification or similar & approved



- NOTES**
1. UNITS ARE SUPPLIED WITH THE STANDARD (MINIMUM) PIPEWORK SIZE, AND ORIENTATION SHOWN ON THE DRAWING. THE STANDARD EN858-1 STATES MINIMUM CONNECTION SIZES, UNITS ORDERED WITH DIFFERENT SIZE CONNECTIONS MAY NOT BE FULLY COMPLIANT WITH THE STANDARD. PLEASE CONSULT OUR SALES DEPARTMENT FOR DETAILS OF AVAILABLE OPTIONS, BUT PLEASE NOTE WE DO NOT ALTER INTERNAL PIPEWORK.
 2. ALL UNITS SUPPLIED ARE CLASS 1 AND INCLUDE A COALESCER.
 3. EXTENSION PARTS FOR DEEPER INVERTS CAN BE PROVIDED FOR ON SITE ASSEMBLY.
 4. ALL UNITS REQUIRE APPROPRIATE CONCRETE BASE, COVER AND FRAME TO SUIT APPLIED LOADINGS.
 5. THIS DRAWING SHOULD BE USED FOR DIMENSIONAL INFORMATION ONLY.
 6. A Ø76mm TUBE IS SUPPLIED TO HOUSE AN OIL ALARM PROBE.



UNIT	NOMINAL FLOW (l/sec.)	DIM.'A'	DIM.'B'	DIM.'C'	DIM.'D'	DIM.'E'		DIM.'F'	DIM.'G'	DIM.'H'		STD. PIPE Ø	APPROX. EMPTY WEIGHT (kg)	FALL ACROSS UNIT
NSBE010	10.0	2070	1095	1450	1350	700		800	2150	1220		315	160	100
NSBE015	15.0	2950	1560	1450	1350	700		800	2150	1220		315	200	100
NSBE020	20.0	3893	2016	1450	1350	700		800	2150	1220		375	220	100
NSBE025	25.0	3575	1900	1680	1580	700		800	2380	1420		375	300	100
NSBE030	30.0	4265	2263	1680	1580	700		800	2380	1420		450	325	100

Please check with Kingspan Environmental that this drawing is the latest issue		Material : Various		Tolerance :		Drawing : DS1155		Page 1 of 2	
Issue Date	Drawn by	Approved by	Description	Finish :	Thickness :				
05 24.06.13	T.Kelly		CC1131 - Case Feet Changed	Weight :	Surface Area :	NSBE010 - NSBE030 Bypass Separators			
04 13.02.13	T.Kelly		CC981 Phase 2 - NSBE025 & 030 Added	Kingspan Environmental reserve the right to alter the details of this drawing without prior notice. This drawing is copyright and may not be reproduced or used without the written permission of Kingspan Environmental.					
All dimensions in mm			Scale: Not to scale						

By.	Date.	Description.

Drawing Status: Planning

Project Title: Residential Development at Inch/Coollegreen Port Road Killarney

Drawing Title: Hydrocarbon Interceptor Standard Construction Details

Client: Portal Asset Holdings Ltd

M.H.L & Associates Ltd.
 Consulting Engineers
 Unit 1b,
 The Atrium,
 Blackpool,
 Cork
 Tel: 021-4840214
 Web: www.mhl.ie
 E-Mail: info@mhl.ie




Designed: DM	Drawn: PK	Checked: BM
NTS		Date: APRIL 2024
Job No: 18137HD	Drawing No: PR-MHL-SCD-P14	Revision: